

Contact stems

Application

For temperature measurement at the outsides of tanks and pipe barrels up to 300 °C.

Standard Versions

For thermometers with rigid mount to stem or for thermometers with max. 5 m capillary line

Temperature Sensor (Stem)

Made of stainless steel 316Ti (1.4571)

Max. medium temperature 300 °C

Contact surface plain or convex

Model A1.1

contact surface plain

Model A1.2

contact surface convex



A1.1



A1.2

Options

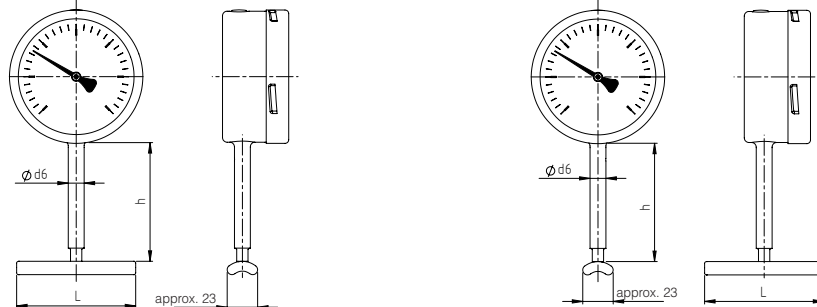
- Turnable connection between neck tube and stem
- Contact stem with special dimensions

Stem Model:	A1.1	A1.2
Contact stem:	plain	convex
Rigid mount:	When ordering thermometers with rigid mount to stem, the installation version (drawing no.) has to be selected in addition to the stem model: The following depiction is based on the convex version A1.2	

Capillary line:



Bottom position: drawing 1 (A1.1) drawing 2 (A1.2)



Centre back position: drawing 3 (A1.1) drawing 4 (A1.2)



Dimensional Data (mm/inch)

h	90 / 3.54
d6	12 / 0.47
stem length L	90 / 3.54