

Bourdon Tube Pressure Gauges

Bayonet ring case stainless steel
DW-Line (Double Weld)

RCh / RChG
63 – 3vDW

DW-Line

In order to meet special requirements even more effectively, especially in the food / bio / pharmaceutical industries, we have developed the DW-Line pressure gauges for chemical seal mounting. DW – Double Weld are Bourdon tube pressure gauges, which are welded to the chemical seal. The case of the pressure gauge is welded to the circular connecting piece (DW1) and the circular connecting piece is welded to the chemical seal (DW2). For this purpose, the circular connecting piece has a d8x5 process connection and the chemical seal has a corresponding bore.

Standard Versions

Information on general and metrological features (e.g. load limits / temperature resistance) and standard pressure ranges / scale divisions can be found in model overview 1000.

Accuracy (DIN EN 837-1)

Class 1.6

Class 2.5 for pressure ranges 0 – 600 bar (0 – 10000 psi)

Case

With bayonet ring, stainless steel 304 (1.4301)

Degree of Protection (DIN EN 60529 / IEC 60529)

IP54

IP65 for model RChG with closed blow-out plug

Blow-out Device

Blow-out plug at the top of the case coverage

Case Ventilation

Via Blow-out plug, ventilation required for internal pressure compensation for measuring spans ≤ 10 bar and also recommended for other pressure ranges if the operating conditions permit

Case Filling

Model RChG glycerin

Nominal Case Size

63 mm (2½")

Wetted Parts

Connection	stainless steel 316L (1.4404)
Bourdon tube	stainless steel 316L (1.4404) gas-shielded arc welding ≤ 100 bar (1500 psi) c-form ≥ 160 bar (2000 psi) helical form

Case Configuration

Connection	welded
Position of the connection	- bottom connection - centre back connection (rm)

Pressure Ranges (DIN EN 837-1)

0 – 1 bar to 0 – 600 bar (0 – 15 psi to 0 – 10000 psi)

Process Connection

Welded connection piece d8x5 for welding to the chemical seal

Window

Laminated safety glass



Movement

Stainless steel

Dial

Aluminum white, scale black

Pointer

Aluminum black

Safety Category According to DIN EN 837-1

S2 safety pressure gauge, proved

Ordering Information, Standard Pressure Ranges, Options

See pages 3 and 4

Further Options

- Position of connection radial at 3 o'clock, 9 o'clock, 12 o'clock or other than vertical installation (90°):
 - for unfilled models
 - for filled models with pressure equalising membrane

Special Versions Upon Request

- Other pressure ranges and / or special scales, e.g. dual scale bar / psi, coloured fields or ranges, dial inscriptions, negative scale
- Min. / max. drag indicator
- Case parts 316L (1.4404)
- Increased degree of protection, e.g. IP65 without case filling
- Other case fillings
- Model RChG for ambient temperatures down to -40 °C (-40 °F)
- Other position of connection
- Certificates and approvals, e.g. GOST (see also website)

Accessory

Chemical seals

see catalogue heading 7

ARMANO

ARMANO Messtechnik GmbH

Location Beierfeld

Am Gewerbepark 9 • 08344 Grünhain-Beierfeld
Tel.: +49 3774 58 – 0 • Fax: +49 3774 58 – 545
mail@armano-beierfeld.com

Location Wesel

Manometerstraße 5 • 46487 Wesel-Ginderich
Tel.: +49 2803 9130 – 0 • Fax: +49 2803 1035
mail@armano-wesel.com

www.armano-messtechnik.com

1211.7

05/23

Case Configurations, Code Letters, Dimensional Data and Weight, Blow-out Device

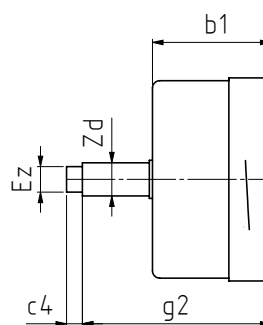
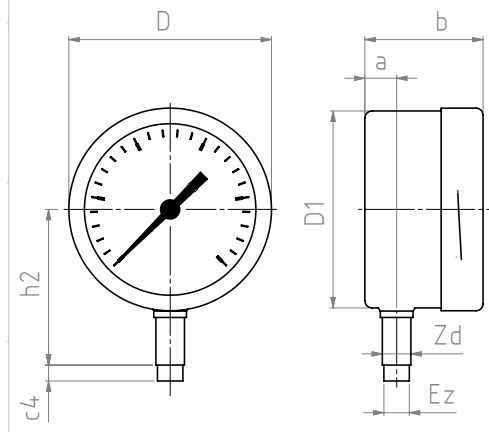
Bottom Connection

Centre Back Connection

without mounting device

without code letters

code letters rm

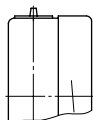


Dimensional Data (mm / inch) and Weight (kg / lb)

NCS	a	b	b1	c4	D	D1	Ez	g2	h2 ^{±1}	Zd ^{+0.5}	approx. weight	
											RCh	RChG
63	10	33	37	5	64	62	8	59	49	10	0.18	0.25
2½"	0.39	1.3	1.46	0.2	2.52	2.44	0.31	2.32	1.93	0.39	0.4	0.55

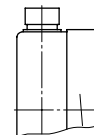
Blow-out Device

Blow-out plug no. 19



Optional

Blow-out plug no. 24
(reclosable, IP65)



Ordering Information, Further Options

These options are to be ordered in written form. Please contact us to ensure compatibility when combining options.

Adjustable pointer

Red mark on the dial

Stationary red pointer on the dial
adjustable with removable ring
integrated in polycarbonate window
adjustable externally

removable key

non-removable key

Special adjustment reference points = odd values, e.g. 100 KN = 8.735 bar

Window acrylic glass (PMMA)¹⁾
polycarbonate (PC)

Pressure equalising membrane for model RChG with blow-out device Ø 1" (25 mm)
in the back of the case for bottom connection

Blow-out plug no. 24 reclosable, IP65

Case polished

Bayonet ring polished

Silicone-free version

Instrument tag stainless steel plate 12 x 55 mm (0.47 x 2.17"), wire mounting
sticker on the case

Special Versions: Please describe your requirements in cleartext!

¹⁾ not for S2